

# HDMI2.0 Audio Inserter & Extractor, 4K@60HZ YUV4:4:4

## /// OPERATION MANUAL



**Dear Customer**

Thank you for purchasing this product. For optimum performance and safety, please read these instructions carefully before connecting, operating or adjusting this product. Please keep this manual for future reference.

**FEATURES**

- Support audio embedding, AUTO, SPDIF5.1, Analog Audio PCM2.0 output
- Support 2 DIP switch to extract the digital HDMI audio signal from the HDMI input to 2 channel analog stereo output or 5.1 channel Audio output
- Support audio uncompressed PCM, Dolby, DTS
- Supports resolution up to 4K2K60HZ, bandwidth 18Gbps
- HDCP2.2/1.4 Compliant
- Support CEC
- Support firmware updating through USB port

**PACKING CONTENTS**

- ① Main Unit. Mini 4K HDMI Audio Extractor & Embedded
- ② Operating instructions
- ③ 5V DC power supply

**NOTICE**

Our company reserves the right to make changes in the hardware, packaging and any accompanying documentation without prior written notice.

**Mail-In Service**

When shipping the unit carefully pack and send it prepaid, adequately insured and preferably in the original carton. Include a letter detailing the complaint and provide a day time phone and/or email address where you can be reached.

**LIMITED WARRANTY LIMITS AND EXCLUSIONS**

- 1) This Limited Warranty ONLY COVERS failures due to defects in materials or workmanship, and DOES NOT COVER normal wear and tear or cosmetic damage. The Limited Warranty ALSO DOES NOT COVER damages which occurred in shipment, or failures which are caused by products not supplied by warrantor, or failures which result from accidents, misuse, abuse, neglect, mishandling, misapplication, alteration, faulty installation, set-up adjustments, maladjustment of consumer controls, improper maintenance, power line surge, lightning damage, modification, or service by anyone other than a Factory Service center or other Authorized Service, or damage that is attributable to acts of God.
- 2) THERE ARE NO EXPRESS WARRANTIES EXCEPT AS LISTED UNDER "LIMITED WARRANTY COVERAGE". THE WARRANTOR IS NOT LIABLE FOR INCIDENTAL OR CONSEQUENTIAL DAMAGES RESULTING FROM THE USE OF THIS PRODUCT, OR ARISING OUT OF ANY BREACH OF THIS WARRANTY. (As examples, this excludes damages for lost time, cost of having someone remove or re-install an installed unit if applicable, travel to and from the service, loss of or damage to media or images, data or other recorded content. The items listed are not exclusive, but are for illustration only.)
- 3) PARTS AND SERVICE, WHICH ARE NOT COVERED BY THIS LIMITED WARRANTY, ARE YOUR RESPONSIBILITY.

**MAINTENANCE**

Clean this unit with a soft, dry cloth. Never use alcohol, paint thinner or benzene to clean this unit.

**PRODUCT SERVICE**

1) **Damage requiring service:** The unit should be serviced by qualified service personnel if:

- (a) The DC power supply cord or AC adaptor has been damaged;
- (b) Objects or liquids have gotten into the unit;
- (c) The unit has been exposed to rain;
- (d) The unit does not operate normally or exhibits a marked change in performance;
- (e) The unit has been dropped or the cabinet damaged.

2) **Servicing Personnel:** Do not attempt to service the unit beyond that described in these operating instructions. Refer all other servicing to authorized servicing personnel.

3) **Replacement parts:** When parts need replacing ensure the service uses parts specified by the manufacturer or parts that have the same characteristics as the original parts. Unauthorized substitutes may result in fire, electric shock, or other hazards.

4) **Safety check:** After repairs or service, ask the service to perform safety checks to confirm that the unit is in proper working condition.

**WARRANTY**

If your product does not work properly because of a defect in materials or workmanship, our Company (referred to as "the warrantor" ) will, for the length of the period indicated as below, **(Parts(2)Year ,Labor(90) Days)** which starts with the date of original purchase ("Limited Warranty period"), at its option either (a) repair your product with new or refurbished parts, or (b) replace it with a new or a refurbished product. The decision to repair or replace will be made by the warrantor.

During the "Labor" Limited Warranty period there will be no charge for labor. During the "Parts" warranty period, there will be no charge for parts. You must mail-in your product during the warranty period. This Limited Warranty is extended only to the original purchaser and only covers product purchased as new. A purchase receipt or other proof of original purchase date is required for Limited Warranty service.

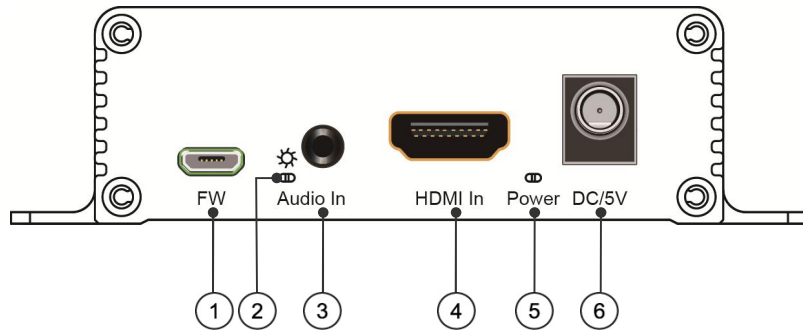
**TABLE OF CONTENTS****Specifications****Panel Descriptions****Connecting and Operating****Application Diagram****Maintenance****Product service****Warranty****Specifications**

Operating Temperature Range	-5 to +40°C(+23 to +104°F)
Operating Humidity Range	5 to 90%RH (No Condensation)
Input Video Signal	0.5-1.0 Volts P-P
Input DDC Signal	5 volts p-p(TTL)
Support Video format	4Kx2K/1080P/1080i/720P/576P/576i/480P/480i 3D video
Support Video Color Format	xv-YCC/deep color 36bit
Support Audio Format	PCM、DTS-HD Master Audio、Dolby true-HD etc.
Data transfer speed rate	18Gbps (Maximum)
HDCP	Compliant HDCP2.2/1.4
Power consumption	1.5watts(Maximum)
Dimension (L×W×H)	104.4x89x28.3mm
Net Weight	155g

Note: Specifications are subject to change without notice. Mass and dimensions are approximate.

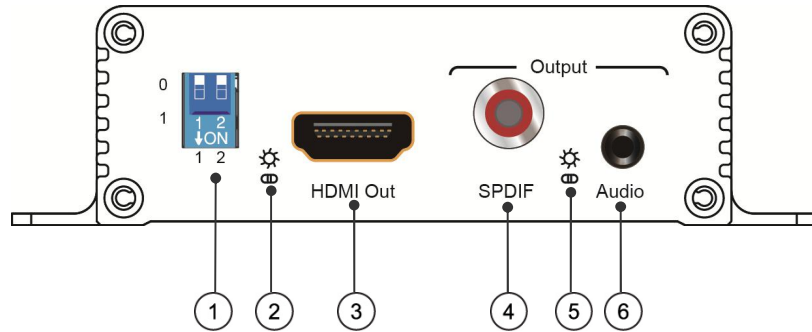
**PANEL DESCRIPTIONS**

**Front Panel**



- ① USB micro 5P port for upgrading the firmware.
- ② Audio Indicator
- ③ Audio input
- ④ HDMI input
- ⑤ Power indicator
- ⑥ DC5V

**Back Panel**



① Audio configuration

	Configuration
00	Audio Embedded
01	PCM2.0 Audio Extraction
10	5.1 Audio Extraction
11	By pass

- ② HDMI output
- ③ HDMI out indicator
- ④ SPDIF Audio output
- ⑤ Analog Audio output

**Connecting and Operating**

- 1) Connect the HDMI signal source (Such as PS3, STB etc) into HDMI input of 4K HDMI Audio Extractor & Embedded.
  - 2) Connect the HDMI display device (such as: HD-LCD, HD-DLP) into HDMI output of 4K HDMI Audio Extractor & Embedded.
  - 3) Connect Optical audio cable or RCA audio cable to Amplifier.
  - 4) Connect DC 5V power to the 4K HDMI Audio Extractor & Embedded.
- Attention: Insert/Extract cable gently

**Application Diagram**

